

# VENTILO

Composting plant aeration system

- self-cleaning
- monocoque body
- 108 cm<sup>2</sup> flow section
- D400 load class



**PURECO**  
THE PURE ECO

[www.pureco.hu](http://www.pureco.hu)

# VENTILO

## Composting plant aeration system

### Two birds with one stone

Ventilo pipes were specifically developed by PURECO for the aeration system of organic waste. Pureco VENTILO pipes together with the GORE® membrane technology make the perfect combination of covered compost plants.

Ventilo has the best price/performance ratio on the market of aeration pipes, with additional accessories (connection pipes, shafts, siphon), it can handle both, the aeration and the compost leachate processes as well. The hole sizes of the perforation are small enough to prevent clogging and large enough for aeration on constant pressure. This is not only a



cost-effective method, but it also contributes to the long term sustainability of the compost infrastructure.

### Monocoque body

Aeration systems in the past were made from multiple pieces, thus the effect of load on the top of the cover resulted in the movement of parts of the system, which lead to the malfunctioning and breaking of the equipment. VENTILO, however, consists of one piece, without any moving parts.

The pipe's robust body is made from a special tough concrete in order to carry the heavy waste handling front-end loader manipulating the compost. The air- and watertight rubber sealing ensures the perfect connection.

VENTILO has monocoque body built of homogeneous C45/55 concrete with additional XF4 material, freeze and thaw salt resistant with inclusion-smooth surface.

### Self-cleaning

The perforation could be 6-10 mm as per customer request, the hole design is conic and it expands towards the middle flow area. The solids drops to the flow area and the drain water washes them out into the siphon, where they can gather and can be removed easily during the maintenance.

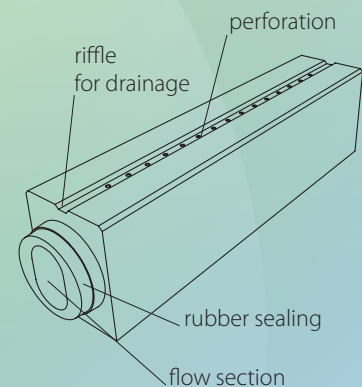


Terméknév: PURECO/VENTILO

Type	Ventilo M
Material	concrete C45/55 XF4
Cross section	108 m <sup>2</sup>
Perforation	d=8 mm x17
<b>Dimensions</b>	
Length	1000 mm
Height	260 mm
Width	220 mm
Weight	108 kg

### Advantages

one-piece body, no moving parts  
high class concrete quality  
water- and airtight connection with rubber sealing



address: H-1118 Budapest, Rétköz u.5. • BudaWest Office Building • phone: +36 1 224 0670

fax: +36 1 224 0679 • e-mail: info@pureco.hu • web: www.pureco.hu

The figures are for illustration. The technical changes, errors and typographical errors subject to change.

Published by Pureco Ltd. Copies: 15 000

**PURECO**  
THE PURE ECO